



FES7

COMPACT ELECTRIC STRIKE



The FES7 is a compact and versatile electric strike. Suitable for all types of door frames, the FES7 has been designed to be fitted in place of an entrance set strike plate and is easy to install.

The compact size of the FES7 also assists with maintaining the integrity and strength of the door frame. The versatile strike can be mounted on either side of the door and is site interchangeable to function as Power To Lock (PTL) / Power To Open (PTO).

Features

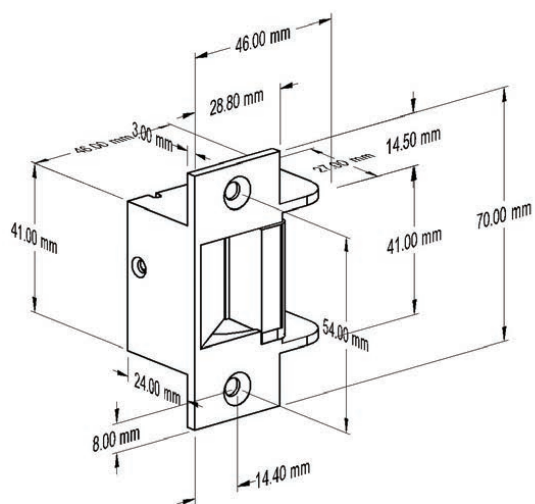
- One of the World's smallest strikes
- Easy installation
- Ideal for wooden, steel and aluminium frames
- Size to suit standard entrance set strike plates
- 12VDC low current draw
- Continuously rated solenoid
- Power To Open/Power To Lock site interchangeable
- 1 year warranty

Warranties	
Mechanical	1 year
Electronic	1 year

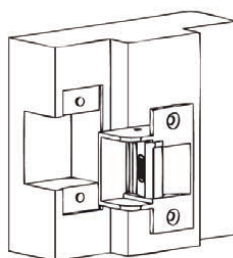
Technical specifications

Part No.	FES7
Function	Power To Lock (PTL) / Power To Open (PTO) field interchangeable
Holding Strength	Up to 500kg Dynamic force: 60J (S5 according to AS4745.2)
Voltage/Current	12VDC ~ 90mA
Monitoring	NIL

PRODUCT DIMENSIONS AND INSTALLATIONS



Wooden jamb installation
(Flush mount)



Metal jamb installation
(Flush mount)

